

Máy Lạnh Chillers R-410A TCW 20 ~ 30NBK2D

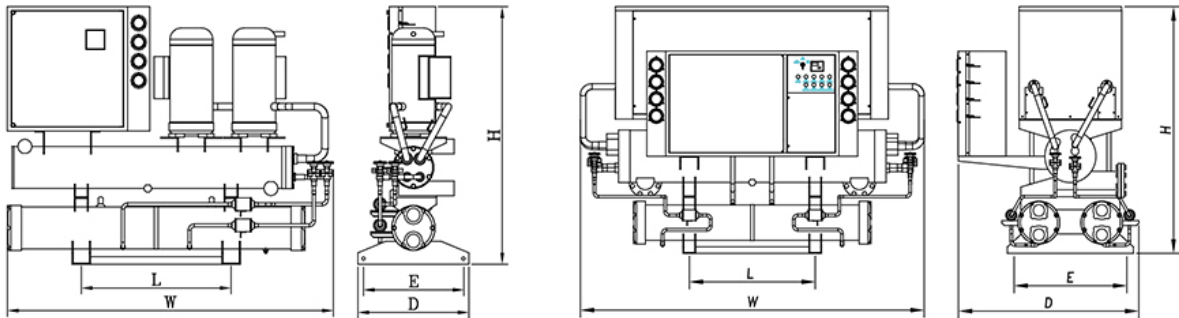
- Hiệu quả cao làm giảm mất năng lượng.
- Độ rung và mức âm thanh thấp
- Máy nén và bộ trao đổi nhiệt hiệu quả.
- Độ tinh cậy cao và độ bền cao
- Thiết kế nhỏ gọn

[Đặt hàng](#)

R-410A

TCW-20NBK2D
TCW-30NBK2D

TCW-40NBK4D
TCW-50NBK4D
TCW-60NBK4D



■ Specifications

Model		TCW-20NBK2D	TCW-30NBK2D	TCW-40NBK4D	TCW-50NBK4D	TCW-60NBK4D
Cooling Capacity	kW	60Hz	70	105	140	174
		50Hz	58	87	117	145
Power Consumption	kW	60Hz	16	24	32	40
		50Hz	13	20	27	33
Running Current A	3 φ 220/380/440V	60Hz	58/34/29	87/51/44	117/68/58	146/84/73
	3 φ 220/380/415V	50Hz	48/28/26	73/42/38	97/57/52	121/70/64
COP	W/W	4.38	4.38	4.38	4.35	4.35
Dimension	Height (H)	mm	1,300	1,400	1,700	1,700
	Width (W)	mm	1,800	1,800	2,200	2,300
	Depth (D)	mm	600	700	1,200	1,200
Foundation holes	(L * E)	mm	810*500	1,200*500	1,200*700	1,200*700
Evaporator	Type		Shell and Tube			
	Flow rate	L/min	200	300	400	500
	Lost head	M	3.0	3.0	3.5	3.5
	Pipe connections		PT 2	PT 2-1/2	PT 3	PT 3
Condenser	Type		Shell and Tube			
	Flow rate	L/min	250	375	500	625
	Lost head	M	4.0	4.5	5.0	5.0
	Pipe connections		PT 2	PT 2-1/2	PT 2*2	PT 2-1/2*2
Refrigerant control		Thermal expansion valve				
Compressor	Type		Sequence Direct			
	Oil heater	W	-	-	-	-
Capacity step	%	0, 50, 100		0, 25, 50, 75, 100		
Starting method		Direct				
Safety devices		High/Low pressure switch, Over current relay, Phase reversal protector, Relief valve, Thermal interior protector, Antifreeze protector				
Refrigerant		R-410A				
Refrigerant oil		Nameplate in chiller				
Net weight	kg	650	750	1,200	1,250	1,350
Operation weight	kg	800	900	1,450	1,500	1,650

Note: 1. Cooling capacity is on: cooling water outlet 35°C, inlet 30 °C; Chilled water outlet 7°C, inlet 12 °C.
2. Specifications are subject to change with out notice for further improvement.

Thông tin liên quan



-

[Máy Lạnh Chillers R-410A TCW 40 ~ 60NBK2D](#)